



Kit Contents			
	Description	Part nr	Pcs
1.1	Shock absorber left	FOS 1R00	1
1.2	Shock absorber right	FOS 2R00	1
2	Dust boot	10216-01	2
3	Spacer	24629-37	2
4	Plastic spring spacer	25602-01	2
5	Spring		2
6	Rubber spring spacer	25601-01	2
7	Upper spring seat	25618-22	2
8	Nut	24627-04	2
9	C-spanner	24639-01	1
10	C-spanner	24639-03	1
11	Öhlins sticker kit	10207-01	1
12	Öhlins emblem kit	10207-02	1
13	Öhlins Owners Manual	07451-01	1

👁 Note!

Please note that this image is a general representation of the product and may differ slightly from your product.

👁 Note!

Please note that during storage and transportation, especially at high ambient temperature, some of the oil and grease used for assembling may leak and stain the packaging. This is in no way detrimental to the product, wipe off the excessive oil/grease with a cloth.

👁 Note!

Before installing this product, check the contents of the kit. If anything is missing, please contact an Öhlins dealer.

⚠ Warning!

Before installing this product, read the Öhlins Owner's Manual. The shock absorber is an important part of the vehicle and the vehicle stability.

Shock absorber Kit for Ford Mustang 2016 – front

FOS MR00

Mounting Instructions

MOUNTING INSTRUCTIONS

⚠ Warning!

We strongly recommend to have an Öhlins dealer install this product.

⚠ Warning!

If working on a raised vehicle, ensure that it is securely supported to prevent it from tipping over.

👁 Note!

When working on this product, see the Vehicle Service Manual for vehicle specific procedures and important data.

1

Raise the vehicle and put it on jack stands.

⚠ Warning!

Ensure that it is securely supported.

2

Remove the front wheels.

3

Loosen the bolts for the lower shock attachments.

👋 Caution!

Support the wheel hubs in an appropriate way on each side of the vehicle so that the brake hoses can not be damaged.

4

Loosen the upper attachments, sway bar and plastic clips. Remove the original struts from the car.

5

Cut the dust boot 42 mm from the lower end with a pair of scissors according to fig 2.

6

Tighten the lower spring seat and the lock ring to 50 - 60 Nm according to fig 5. Fit the dust boot (2), the spacer (3), the plastic spring spacer (4), the spring, the rubber spring spacer (6), the upper spring seat (7) and the M14 lock nut (8) to the shock absorber according to fig 1. Tighten the lock nut (8) to 35-40 Nm.

👁 Note!

When tightening the top mount nut, the shock absorber top pin must be held in position with an Allen key.

Figure 1

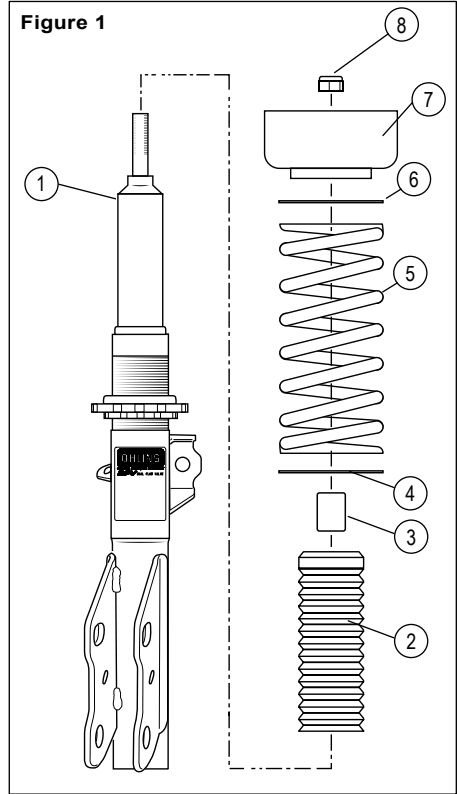
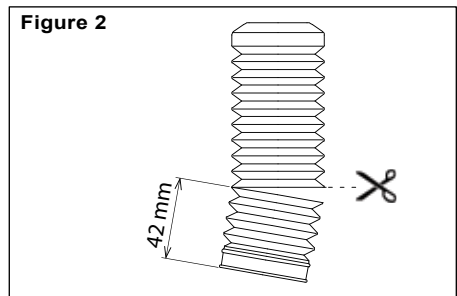


Figure 2



MOUNTING INSTRUCTIONS

7

Install the Öhlins McPherson struts on the vehicle. Tighten the two bolts (Fig 3) for the lower attachment to 250Nm.

Note!

Make sure the bolt head is seated flush against the shock bracket when the nuts are being torqued.

8

Fasten the strut to the top mount of the vehicle.

9

Fit the stabilizer link according to fig 4.

Note!

Make sure that all bolts are tightened to the correct torque and that nothing fouls or restricts movement of the strut. Test this over the whole steering range from lock to lock. If you want more than 1.5 degrees of camber, you will need wheel spacers to clear the wheel from the spring platform.

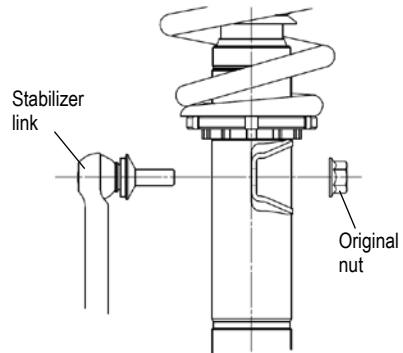
10

Make sure that all removed parts are re-installed in the same way as they were before the installation of the Öhlins shock absorber.

Figure 3



Figure 4



ADJUSTMENTS

⚠ Warning!

Before riding, always make sure that the basic settings made by Öhlins are according to recommended Set-up Data. Read about adjustments and setting up in the Öhlins Owner's Manual before you make any adjustments. Contact an Öhlins dealer if you have any questions about setting up.

The standard preload is 7 mm, see fig 5. Make sure to measure the length of the spring only.

SETUP DATA

Recommended set-up

Setting adjustment		
Track	2-7	clicks
Winding road	5-10	clicks
Street	10-20	clicks
Spring preload	7	mm

Recommended spring

48000-27 (90 N/mm)

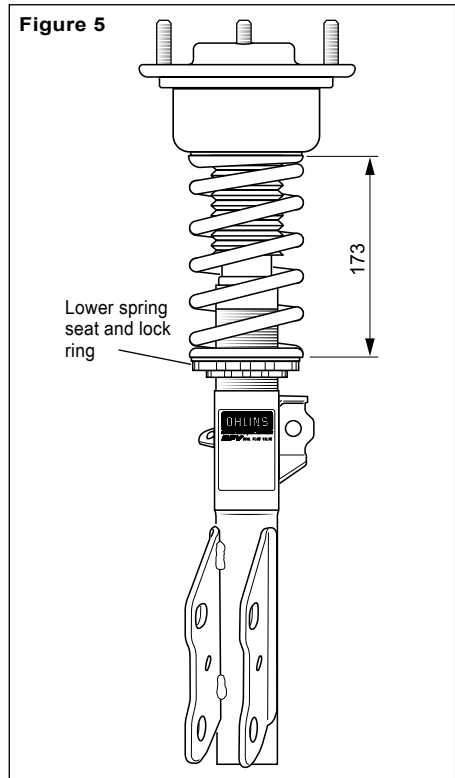
The actual vehicle height

With the preload adjustment in the recommended position, the vehicle is lowered approximately 25 mm when compared to the original suspension.

Öhlins products are subject to continuous improvement and development, therefore, although these instructions include the most up-to-date information available at the time of printing, minor updates may occur.

© Öhlins Racing AB. All rights reserved. Any reprinting or unauthorized use without the written permission of Öhlins Racing AB is prohibited.

Figure 5



⚠ Warning!

The spring preload range is 0 to 10 mm. Giving a spring length of 180 to 170mm.

To find the latest information contact an Öhlins distributor. Please contact Öhlins if you have any questions regarding the contents in this document.

Part no. MI_FOSMR00_front_1
Issued 2017-06-12

Öhlins Racing AB
Box 722
S-194 27 Upplands Väsby, Sweden
Phone +46 8 590 025 00
fax +46 8 590 025 80



www.ohlins.com



Kit Contents

	Description	Part nr	Pcs
1	Shock absorber rear	FOS 6R00	2
2	Spacer	24629-38	2
3	Dust boot	10216-01	2
4	M10 lock nut	24626-01	2
5	Adjustment knob	24631-04	2
6	M10 screw		4
7	M10 Nut		4
8	Spring height adjuster	24651-02	2
9	Lock ring	24636-03	2
10	Spring platform	24635-03	2
11	Rubber spring spacer	25601-01	2
12	Spring		2
13	Plastic spring spacer	25602-01	2
14	Lower spring seat	25618-23	2

👁 Note!

Please note that this image is a general representation of the product and may differ slightly from your product.

👁 Note!

Please note that during storage and transportation, especially at high ambient temperature, some of the oil and grease used for assembling may leak and stain the packaging. This is in no way detrimental to the product, wipe off the excessive oil/grease with a cloth.

👁 Note!

Before installing this product, check the contents of the kit. If anything is missing, please contact an Öhlins dealer.

⚠ Warning!

Before installing this product, read the Öhlins Owner's Manual. The shock absorber/front fork/steering damper is an important part of the vehicle and the vehicle stability.

Shock absorber Kit for Ford Mustang 2016 – rear

FOS MR00

Mounting Instructions

MOUNTING INSTRUCTIONS

⚠ Warning!

We strongly recommend to have an Öhlins dealer install this product.

⚠ Warning!

If working on a raised vehicle, ensure that it is securely supported to prevent it from tipping over.

👁 Note!

When working on this product, see the Vehicle Service Manual for vehicle specific procedures and important data.

1

Raise the vehicle and put it on jack stands.

⚠ Warning!

Ensure that it is securely supported.

2

Remove the rear wheels.

3

Remove the lower and the upper attachments and remove the original shock absorber.

4

Remove the spring and the OE rubber spring isolators.

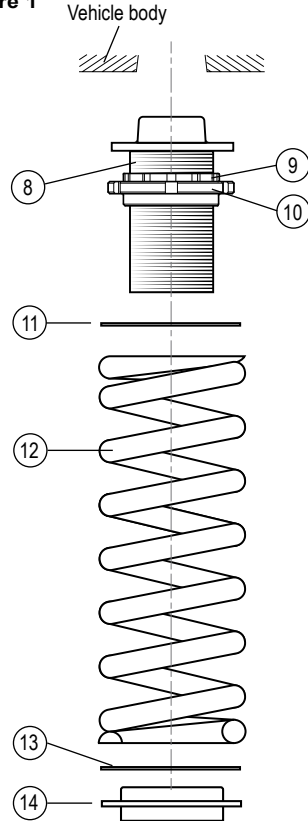
5

Set the upper spring preload adjustment assembly according to fig 3 and tighten it to 40-50Nm.

6

Mount the lower spring seat (14). Tap it gently into position. Mount the plastic spring spacer (13), the spring (12), the rubber spring spacer (11) and mount the spring preload adjuster assembly to the car.

Figure 1



MOUNTING INSTRUCTIONS

7

Install the spacer (2), the dust boot (3) and the OE upper shock mount. Tighten the lock nut (4) to 30Nm. Mount the adjustment knob (5) and tighten it to 10Nm.

8

Install the Öhlins shock absorbers on the vehicle.

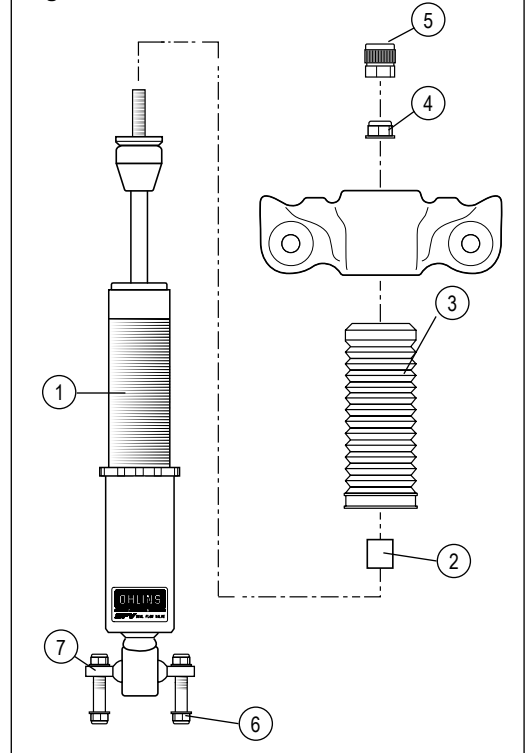
9

Make sure that all removed parts are reinstalled in the same way as they were before the installation of the Öhlins shock absorber.

Note!

Make sure that all bolts are tightened to the correct torque and that nothing fouls or restricts movement of the shock absorber when it is being fully compressed or extended.

Figure 2



ADJUSTMENTS

⚠ Warning!

Before riding, always make sure that the basic settings made by Öhlins are according to recommended Set-up Data. Read about adjustments and setting up in the Öhlins Owner's Manual before you make any adjustments. Contact an Öhlins dealer if you have any questions about setting up.

SETUP DATA

Recommended set-up

Setting adjustment		
Track	2-7	clicks
Winding road	5-10	clicks
Street	10-20	clicks
Spring preload adjuster height	33	mm

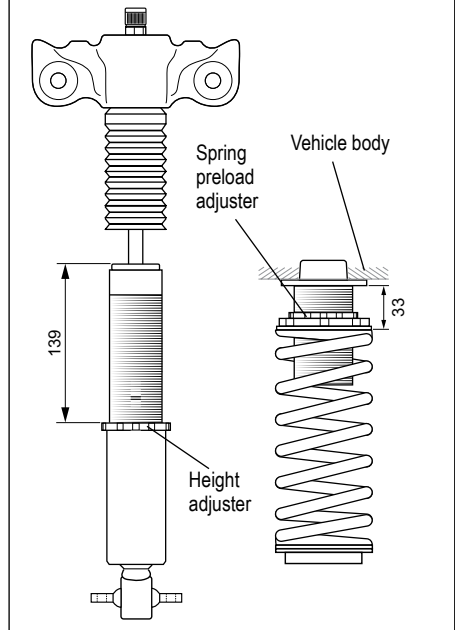
Recommended spring

48000-47 (140 N/mm)

The actual vehicle height

With both the preload and height adjustments in their recommended positions, the vehicle is lowered approximately 25 mm when compared to the original suspension. As the height adjuster is turned one rotation, the position moves 1.5 mm.

Figure 3



Öhlins products are subject to continuous improvement and development, therefore, although these instructions include the most up-to-date information available at the time of printing, minor updates may occur.

To find the latest information contact an Öhlins distributor. Please contact Öhlins if you have any questions regarding the contents in this document.

Part no. MI_FOSMR00_rear_1
Issued 2017-06-12

© Öhlins Racing AB. All rights reserved. Any reprinting or unauthorized use without the written permission of Öhlins Racing AB is prohibited.

Öhlins Racing AB
Box 722
S-194 27 Upplands Väsby, Sweden
Phone +46 8 590 025 00
fax +46 8 590 025 80



www.ohlins.com